

**Technical Sheet
KNX USB Interface**

UP06102

The worldwide STANDARD for home and building control

CHARACTERISTICS

The KNX USB Interface is used for facilitating communication between the PC and the KNX system, in order to configure, parameterize and commission the EIB/KNX installation as well as bus monitor using the ETS (ETS3 or later) software.

The KNX USB Interface has not an application program, but it is able to use the ETS to allocate the physical address. The factory default physical addresses are 15.15.255. Note — a KNX drive program (GVS USB driver for KNX.exe) need to be installed in the PC, or else the interface cannot connect to the PC.

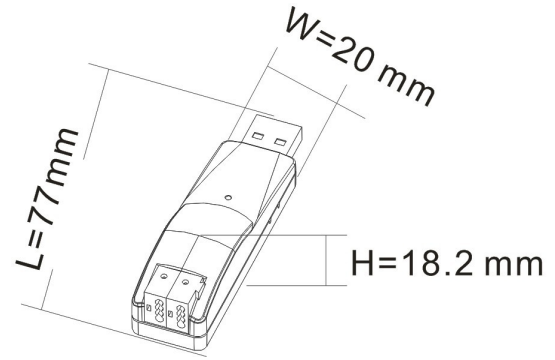
The KNX USB Interface can run in the following operating systems: Windows 2000, Windows XP, Windows Vista, Windows 7, Windows Me and Windows 98. Note — If running Windows Me and Windows 98, not only need to install the KNX drive program in the PC, but also need to install the HID driving.

PARAMETERS

Power supply	Operation voltage	21~30V DC, via the EIB bus
	Current consumption	<12mA, EIB
	Power consumption	<360mW, EIB
	USB voltage	5V DC
	Current consumption	<100mA, USB
	Power consumption	<500mW, USB
Interface	USB Standard	2.0
	Connections	EIB / KNX
		PC-connection
	Bus connecting terminal	Single-core 0.2—6.0mm ² Multi-core 0.2—4mm ²
		Via USB socket type A

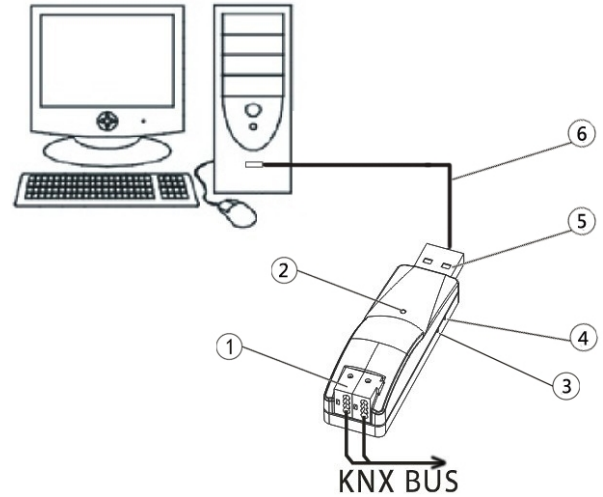
Operating and display		Max. cable length 5m (standardized)
	Prog. LED and button	For assignment of the physical address
Temperature	Operation	-5 °C ... +45 °C
	Storage	-25 °C ... +55 °C
	Transport	-25 °C ... +70 °C
Ambient	Humidity	<93%, except dewing
Mounting position		As required

DIMENSIONS



Model	Dimension	Weight
UP06102	18×20×77mm	0.1kg

DESCRIPTIONS



- ① EIB/ KNX bus connection terminal
- ② The green LED lights up as soon as the USB interface and PC are connected and ready for operation. It flashes mean that there is communication between the USB interface and PC. The red LED lights up as soon as the USB interface and KNX bus are connected and ready for operation. It flashes mean that there is telegram traffic on the bus.
- ③ Red LED for assigning the physical address, green LED flashing for display the application layer works normally
- ④ Programming button
- ⑤ USB serial ports connection terminal
- ⑥ USB extension cable

INSTALLATION FIGURE

The extremely compact design enables the USB interface appearance as USB flash disk as small, delicate, and portable. So it can be installed in many positions according to user requirements. Must ensure that the device operation, testing, detecting, maintenance correctly before installing.

IMPORTANT INFORMATION

Installation and commissioning of the device may only be carried out by trained electricians. The relevant standards, directives, regulations and instructions must be observed when planning and implementing the electrical installation.

- Protect the device against moisture, dirt and damage during transport, storage and operation!
- Do not operate the device outside the specified technical data (e.g. temperature range)!

Should the device become soiled, it may be cleaned with a dry cloth. If this does not suffice, a cloth lightly moistened with soap solution may be used. On no account should caustic agents or solvents be used.